

CONNECTION HEAD

SCH4 SERIES

- Sensor or Surface Mount
- Houses 1 or 2 transmitters / connection blocks
- Thread Entries M16,M20,M24, 1/2" BSP, 1/2" NPT
- Sealed To IP67
- High Impact ABS Plastic Construction



INTRODUCTION

Designed in house, the SCH4 connection head has found many industrial and HVAC applications. The head will accept standard connecting blocks and most standard head mounting transmitters with 33mm fixing holes. It also has provision to fit a low cost plastic terminal block for HVAC applications. Moulded in general purpose ABS plastic, the external fixing points provide a simple and rapid means of mounting sensors directly onto ducts, dispensing with the need for separate mounting plates.

MATERIAL

ABS plastic with UV, UL rating HB

BODY STYLES

Three body types are available;

Single Side Entry - Style A
Double Side Entry - Style B
Single Side And Bottom Entry - Style C

Style A / B housings are typically used for direct or remote sensor mounting as well as surface mounting and can also accept our DM700 loop powered display to give a readout of the process at or near the point of measurement.

Style C housings are typically used as a standard connection head for industrial and HVAC applications where the probe is fitted to the base entry.

CAP

There are two types of cap available; high and low profile. The low profile cap is used with most applications. Whereas the high profile cap allows the head to house 2 temperature transmitters or connection blocks and is typically used with duplex sensors and is ideal for sensor fail safe applications.

ACCESSORIES

Mounting kits are available for mounting the SCH4 directly onto a pipe or wall where it is not practical to use the fixing points on the body.

A cap retaining strap or chain can also be supplied to secure the cap and retaining ring to the body.

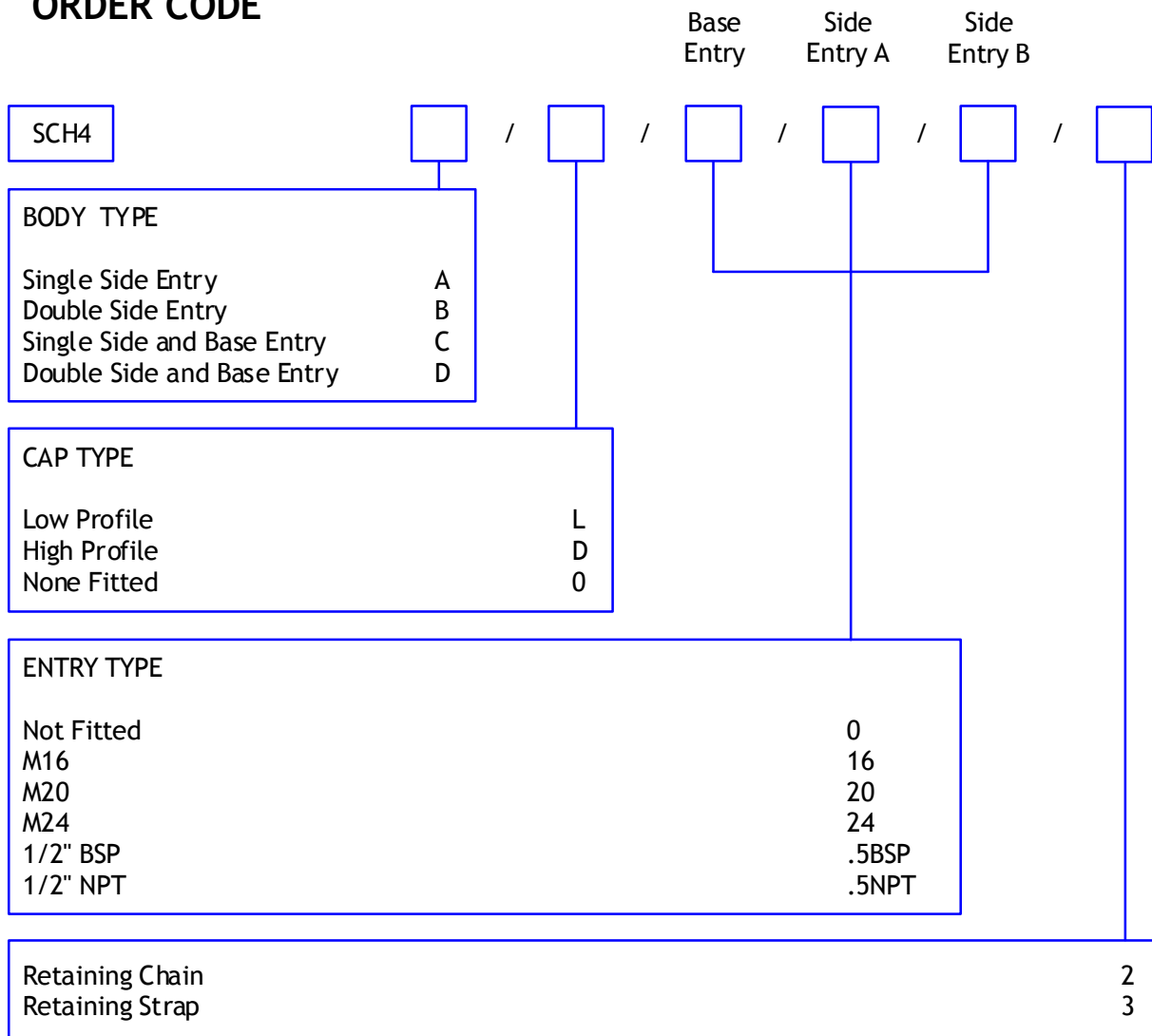
CONNECTION HEAD

ASSOCIATED PRODUCTS

The DM700 loop powered indicator or SEM710 indicating transmitter are both manufactured in a 'clear' version of the cap and provide an indication of process value. The DM700 is also available in an IS version for use in hazardous areas. together with a transmitter fitted to the base of the product.

The DM640 series provides a battery powered temperature display for resistance and thermocouple sensors. As with the DM700, it is manufactured in a 'clear' version of the cap and provides an indication of temperature at the point of measurement. IS versions of the DM640 are also available for use in hazardous areas.

ORDER CODE





HISPACONTROL S.L.
 Paseo Delicias 65 Bis, 1D
 28045 Madrid
 Tel. 915 308 552
hc@hispacontrol.com
www.hispacontrol.com