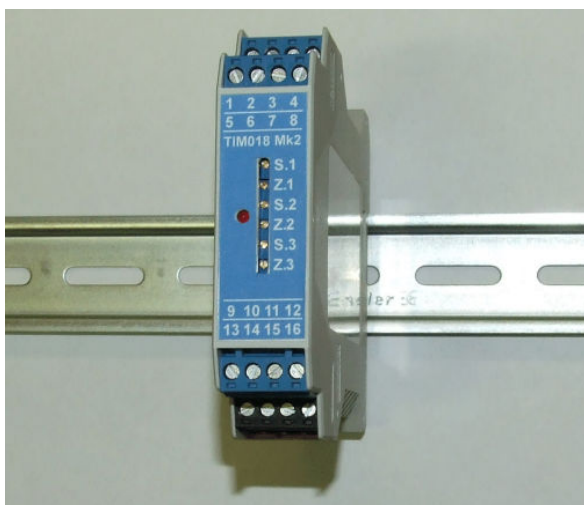


# Triple 4-20mA Loop Splitter - Model TIM018-Mk2



- Simple to install and commission
- Clear Plain English operating manuals
- Internal 20V supply to power sensor
- Can scale each output separately
- Low cost and fast delivery
- wide range power supplies

## Specifications:

### Input

Input resistance	50 Ohms
Input range	4-20mA, 0-10mA
Excitation voltage	20VDC nom. 28mA max

### Output

Output range	4-20mA, 0-10mA
Span adjustment	+/-9mA
Zero adjustment	+/-1mA
Response speed	200 mSeconds
Isolation	380V to earth and power
Drive capacity	600 Ohms per loop
Accuracy	+/-0.1% span
Temp.Co.	+/-75ppm/C

**Note:** All + O/P terminals are internally connected

### Power

Supply voltage	95-265 VAC or 11-30 VDC
Power consumption	3 Watts max
Connections	Screw terminals - plug-in

### Environmental

Working temp. range	0-50 C
Storage temp. range	-20 to 75 C
Humidity	0-90% rh non-condensing
Sealing	IP40

### Mechanical

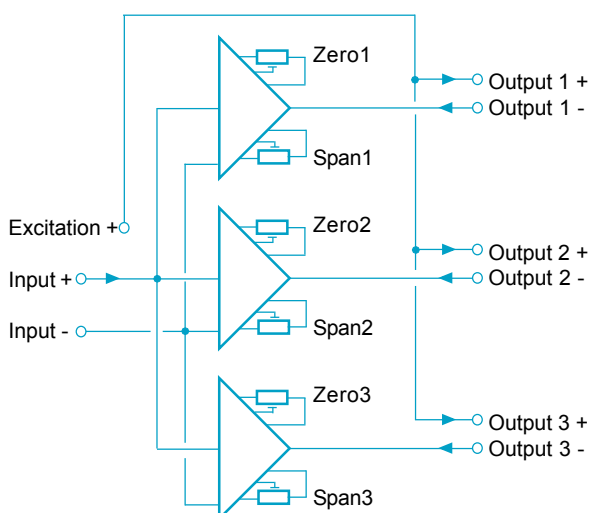
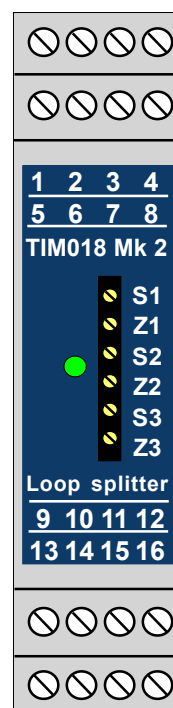
Mounting	DIN Rail EN50 022
Size	22.5 w x 99h x 111 d
Weight	200 grammes

In many industrial systems, 4-20mA will send measurement values from a transmitter or amplifier to other devices such as panel meters, chart recorders, PLC's, controllers etc.

Often, these devices share the same signal, because they are connected in series.

A **problem** which you may find, is that if any of the devices in the loop is removed, fails, or suffers a wiring fault, all other devices will lose their 4-20mA signal.

The TIM018 helps to solve this problem. It takes one 4-20mA signal and makes 3 copies. Each copy signal can be open circuit or short circuit and will not affect the other loop signals.



## Ordering Code:

**TIM018-Mk2-AC** for 95-265 VAC  
**TIM018-Mk2-DC** for 11-30 VDC

